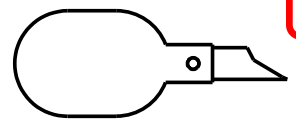


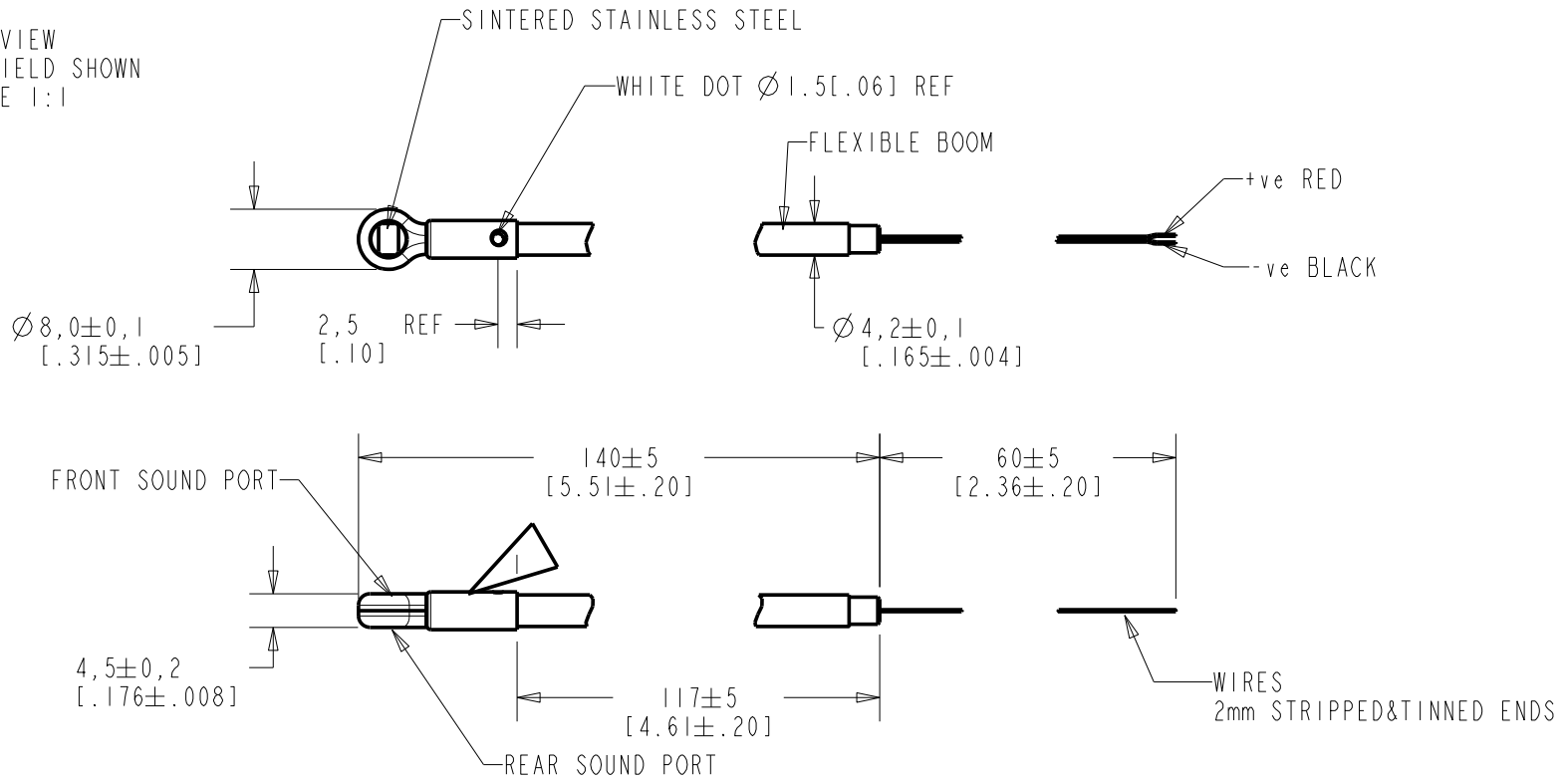
FB-DW-30293-000
SHT 1.1

RED CONTROLLED

THE FRONT SOUND PORT IS ADJACENT TO THE MODEL NUMBER IDENTIFICATION.



TOP VIEW
W/WINDSHIELD SHOWN
SCALE 1:1



WIRE COLOR		WEIGHT GRAMS
+ve	-ve	
RED	BLACK	13.1

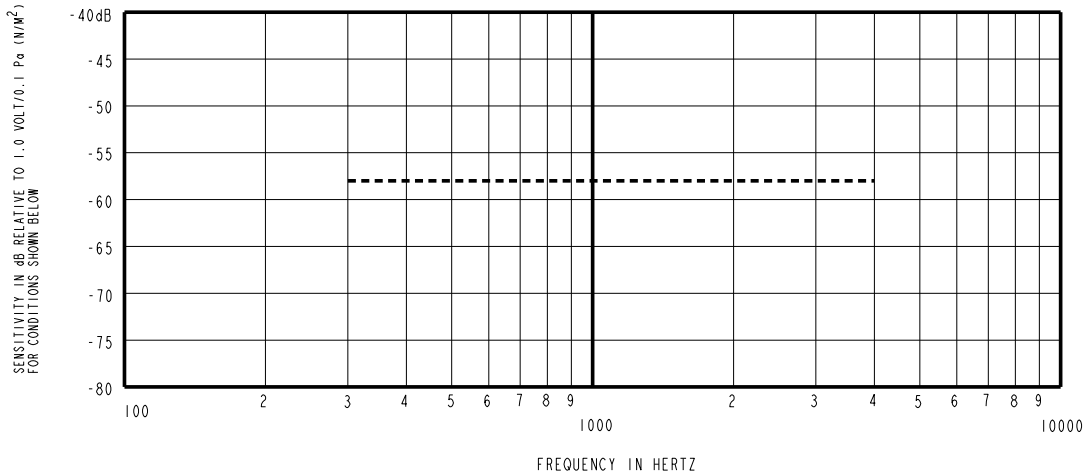
DIMENSIONS IN MILLIMETERS [INCHES]

Revision	C.O. #	Implementation Date	RELEASE LEVEL	REVISION
B	C10107745	8-4-08	Active	B
A	C10107109	3-17-08		
SCALE: 1:1				
DO NOT SCALE DRAWING			DR. BY	DATE
TITLE: BOOM MICROPHONE FB-DW-30293-000			TT	3-4-08
			CK. BY	DATE
OUTLINE DRAWING			GJP	3-27-08
			APP. BY	DATE
SHT 1.1			GJP	3-27-08

KNOWLES ELECTRONICS
ITASCA, ILLINOIS U.S.A.

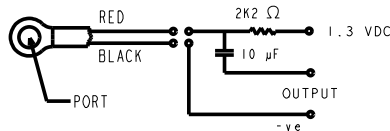
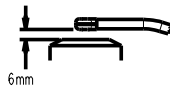
RED CONTROLLED

FB-DW-30293-000
SHEET 2.1



NOTES:

- MICROPHONE TO BE FUNCTIONAL WITH 10 VDC SUPPLY.
- SENSITIVITY VALUES INDICATED ON THIS SPECIFICATION ARE VALID AT 50% HUMIDITY.
- | SENSITIVITY | | | | DEVICE CONFORMITY RANGE OF DEVIATION FROM 1KHZ | |
|-------------|-------|-------|-------|--|------|
| FREQUENCY | MIN | NOM | MAX | | |
| 300 | --- | -58.0 | --- | -4.0 | +4.0 |
| 1000 | -62.0 | -58.0 | -54.0 | -0.0 | +0.0 |
| 4000 | --- | -58.0 | --- | -4.0 | +4.0 |
- TEST CONDITIONS:
HEAD OF BOOM EXPOSED TO 74 dB SPL SWEPT SOUND FIELD AT 6mm FROM VOICE APERTURE.
ARTIFICIAL VOICE: B & K 4227 MOUTH SIMULATOR.
- FOR MICROPHONE CAPSULE SPEC. SEE NR-25994-D63 SHEET 2.1



LEAD IDENTIFICATION & TEST CIRCUIT

Revision	C.O. #	Implementation Date	RELEASE LEVEL	REVISION
B	C10107745	8-4-08	Active	B
A	C10107109	3-17-08		

KNOWLES ELECTRONICS
ITASCA, ILLINOIS U.S.A.

WHEN TEST LIMITS ARE USED TO ESTABLISH INCOMING INSPECTION ACCEPTANCE/REJECTION CRITERIA, CORRELATION OF TEST EQUIPMENT WITH KNOWLES IS ALSO REQUIRED FOR ELIMINATION OF EQUIPMENT AND TEST METHOD VARIATION

TITLE: **BOOM MICROPHONE** **FB-DW-30293-000**
PERFORMANCE SPECIFICATION **SHT 2.1**

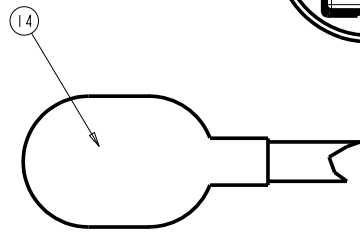
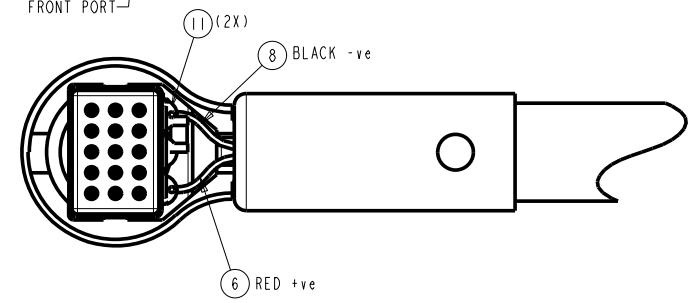
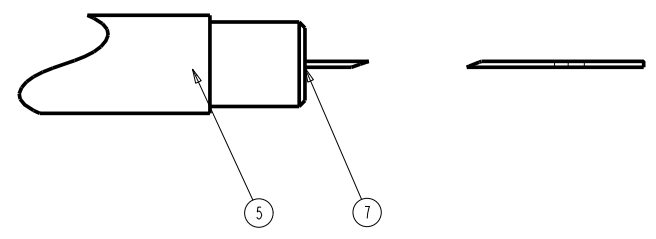
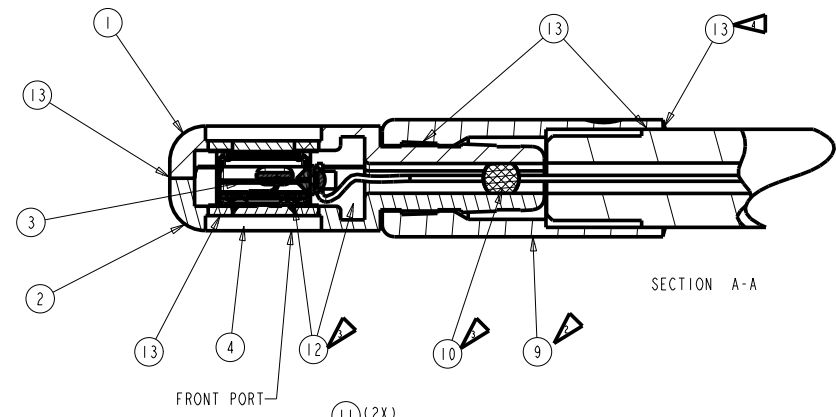
DR. BY	DATE
TT	3-4-08
CK. BY	DATE
GJP	3-27-08
APP. BY	DATE
GJP	3-27-08

FB-DW-30293-000

RED CONTROLLED

NOTES:

1. ITEMS NUMBERS (SHOWN THUS ①) ON DRAWING CORRESPOND WITH ITEM NUMBERS ON BILL OF MATERIAL.
2. MARKING ON ITEM ⑨ TO BE IN LINE WITH FRONT PORT.
3. CONTINUOUS RING OF CEMENT TO FORM ACOUSTIC SEAL.
4. SEAL WHOLE HEAD CAVITY WITH CEMENT, WIRE HOLE MUST BE FILLED, ADHESIVE BUILD UP TO BE 2mm MAX.



TOP VIEW
W/WINDSHIELD SHOWN
SCALE 2:1

DIMENSIONS IN MILLIMETERS [INCHES]

RELEASE LEVEL	REVISION
Active	B
SCALE: 5:1	DO NOT SCALE DRAWING
DR. BY DATE	TT 3-4-08
CH. BY DATE	GJP 3-27-08
APP. BY DATE	GJP 3-27-08
TITLE	
BOOM MICROPHONE ASSEMBLY	
FB-DW-30293-000	
SHEET 3.1	

MATERIAL	SEE NOTE 1	FINISH	---
REF. ID: 1111		UNLESS OTHERWISE SPECIFIED, DIMENSIONS ARE IN INCHES	
A I.c.o. C10107109		THIRD ANGLE PROJECTION	
B I.c.o. C10107745			
RENAME IN PROVE FROM FB-30293-000 TO FB-DW-30293-000 TTT 8-5-08			

PROPRIETARY NOTE: THIS DOCUMENT CONTAINS INFORMATION WHICH IS THE PROPRIETARY PROPERTY OF KNOWLES ELECTRONICS, LLC. OR ITS AFFILIATED ENTITIES. IT IS ISSUED TO YOU FOR YOUR INFORMATION ONLY AND IS NOT TO BE REPRODUCED OR TRANSMITTED IN ANY FORM OR BY ANY MEANS, ELECTRONIC OR MECHANICAL, INCLUDING PHOTOCOPYING, RECORDING, OR BY ANY INFORMATION STORAGE AND RETRIEVAL SYSTEM, WITHOUT THE WRITTEN PERMISSION OF KNOWLES ELECTRONICS, LLC. AND MUST BE RETURNED UPON REQUEST BY KNOWLES ELECTRONICS, LLC.

FB-DW-30293-000 Sheet 4.1		KNOWLES ELECTRONICS ITASCA, ILLINOIS U.S.A.		FB-DW-30293-000 Sheet 4.1	
Dr. By TT Date 3-4-08 Ch. GJP 3-27-08 App. GJP 3-27-08	Subject: BOOM MICROPHONE ASSEMBLY			Revision B	
				Release Level Active	

COL. 1	2	3	4	Item No.	Line No.
Part or Dwg. no.	Tot. Req.	Nomenclature:	Applicable Specs or Remarks		
VR-105	1	ASSEMBLY		1	1
VR-001	1	BODY MOULDING CVR BOOM		2	2
NR-25994-D63	1	MICROPHONE ASSEMBLY		3	3
CA-030	1	SINTER DISC		4	4
FB-030-122	1	FLEXIBLE BOOM 4.2 mm		5	5
FB-070-054	1	WIRE (RED)		6	6
13-591	A/R	SILICONE SEALANT		7	7
FB-070-055	1	WIRE (BLACK)		8	8
VR-022-001	1	INTERFACE TUBE WITH LASER MARK		9	9
13-092-1284	A/R	CEMENT		10	10
285-007-001	A/R	SOLDER LEAD FREE		11	11
13-092-1213	A/R	CEMENT		12	12
13-092-812	A/R	CEMENT		13	13
VR-041	1	WINDSHIELD		14	14

RED CONTROLLED

REVISION	A	c.o. C10107109
	B	c.o. C10107745
RENAME IN PRO/E FROM FB-30293-000 TO FB-DW-30293-000 TT 8-5-08		

FB-DW-30293-000
 Sheet 4.1

PROPRIETARY NOTE: THIS DOCUMENT CONTAINS INFORMATION WHICH IS THE PROPRIETARY PROPERTY OF KNOWLES ELECTRONICS, LLC. OR ITS AFFILIATED ENTITIES. IT IS ISSUED IN STRICT CONFIDENCE AND SHALL NOT BE REPRODUCED, COPIED, USED, OR DISCLOSED TO ANY THIRD PARTY PARTIALLY OR WHOLLY IN ANY MANNER WITHOUT PRIOR WRITTEN PERMISSION OF, AND MUST BE RETURNED UPON REQUEST BY, KNOWLES ELECTRONICS, LLC.

REF: 1001-PART-001-PW REF: 0